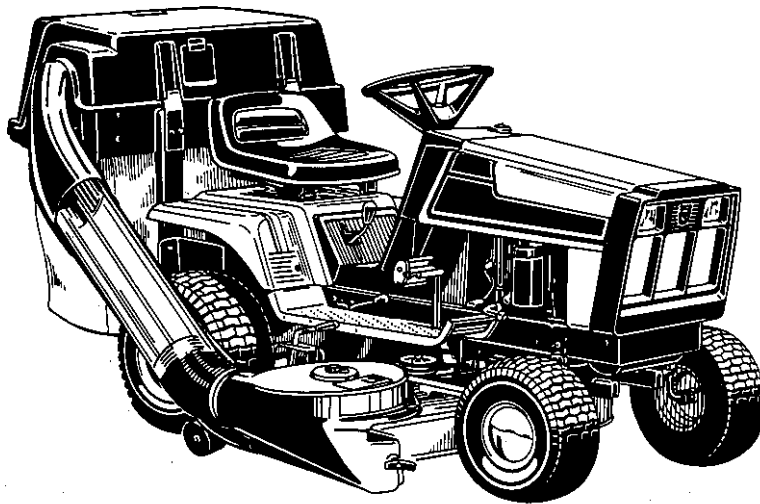


OPERATOR'S MANUAL

36" Turbo Collector




Turbo Twin Bag Collector

FORM - 1707187
PRINTED IN U.S.A.
10/90

36" BLOWER ASSEMBLY
MFG. NO. 1691356
MFG. NO. 1691999

Safety Rules






Read these safety rules and safety rules in your Operator's Manual and follow them closely. Failure to obey these rules could result in loss of control of tractor, severe personal injury to yourself, or damage to property or equipment. The triangle  in the text signifies important cautions or warnings which must be followed.



WARNING

When blower assembly is removed from mower deck, the deflector must be installed as described in Operating Without Collection System.

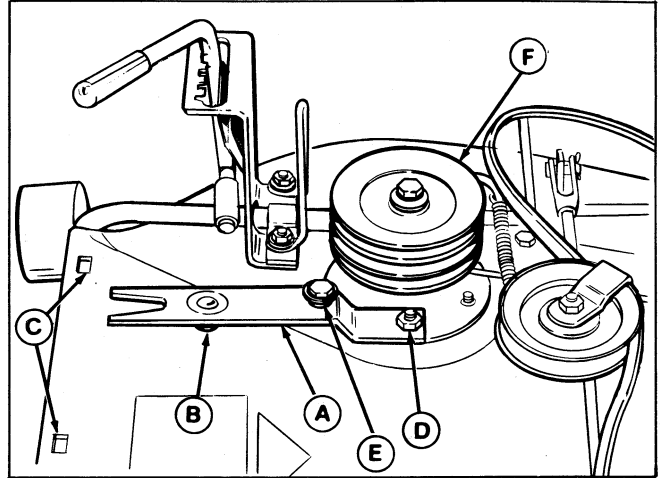
1. Know the tractor controls and how to stop quickly. READ THE TRACTOR OWNER'S MANUAL.
2. Disengage PTO, shut the tractor engine off and wait for all moving parts to stop before attaching, adjusting, or disconnecting the Collection System.
3. Check the cart to make sure it is bolted tightly to tractor.
4. Check the latch handle to make sure it is engaged so the cart's box is locked to the frame.
5. Look behind to make sure the area is clear before backing up.
6. DO NOT turn sharply when the tractor is alongside a building or any object.
7. DO NOT carry passengers in the cart.
8.  **CAUTION:** For added tractor stability and to prevent tipping or loss of control;
 - a. Use reduced speed on uneven ground and when turning corners.
 - b. Reduce loads on hillsides. It is recommended that the Collection System be kept only half full when negotiating any slopes. Start mowing on slopes when the Collection System is empty.
 - c. Mow up and down the face of slopes; **never across the face of any slope.**
9.  **WARNING:** When operating on slopes, use front counterweight. Never operate on slopes greater than 30% (16.7°).
10.  **CAUTION:** Objects may be thrown from mower. For your safety:
 - a. DO NOT open or remove the cover while the mower blades are turning. Shut off the engine before opening the door or removing the grass chute.
 - b. Be sure the complete Collection System is in place (cover secure and grass chute connected) before operating the mower.
 - c. DO check the cart cover frequently for wear and tear. Replace with new cover for safety protection.
11. For best results when mowing grass: Set the mower to cut from 1 to 2 inches of grass. If grass is exceptionally tall, set your mower as high as possible for first cutting. Lower cutting height at succeeding cuttings until proper height is reached. It may be necessary to mow tall grass at a slower tractor ground speed (keep engine rpm's high).

Installation

1. Remove the mower deflector by removing two carriage bolts, lockwashers and nuts. Install this hardware on the deflector for use when blower is removed for side discharge.

Figure 1.

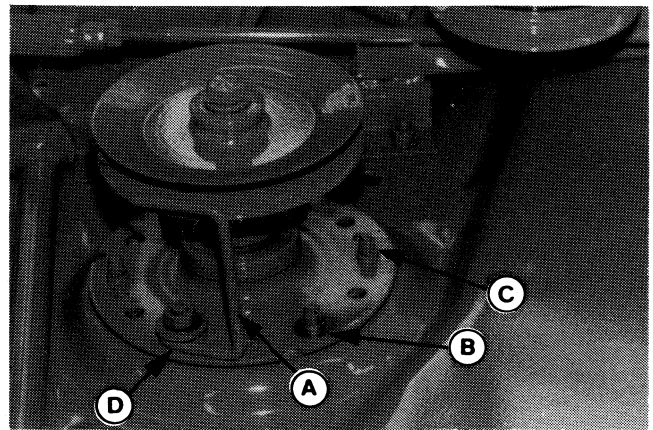
- A. Strap
- B. Large Spacer
- C. Holes, Deflector Mounting
- D. Jamnut
- E. Small Spacer
- F. Double-Groove Pulley



2. The belt stop (A, figure 2) and hardware must be relocated to hole (D) shown. If existing belt stop mounting screw is longer than other arbor self-tapping screw, change screws with belt stop. If all screws are equal length, relocate belt stop only as shown by D, figure 2.

Figure 2.

- A. Belt Stop
- B. Original Belt Stop Location
- C. Self-Tapping Screw
- D. New Belt Stop Location



3. Install strap (A, figure 1) as follows:
 - a. Drill a 9/32" hole for large spacer (B). Use the supplied template on the last page. Align template with deflector mounting holes (C).
 - b. Install strap (A, figure 1) to deck with hardware shown in figure 2. Strap fits onto self-tapping arbor screw (C, figure 2).
 - c. Check the installation. The strap should be secured to arbor screw with locknut (D, figure 1). The small spacer (E) should be above the strap. The large spacer (B) should be between strap and mower deck. Refer also to figure 3.

NOTE

To ease installation, move the PTO rod so that brake is away from pulley.

4. Remove the existing right-hand arbor pulley and install the new double-groove pulley (F, figure 1) with existing capscrew, lockwasher and washer. Torque to 55 to 70 ft. lbs. Do not reinstall mower drive belt at this time.

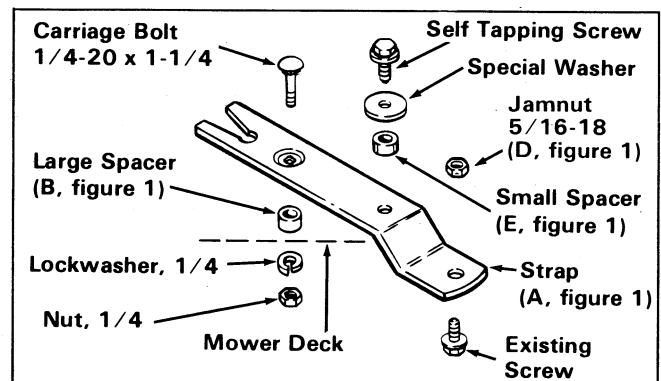


Figure 3.

5. Install the baffle (B, figure 4) as shown. Install retainer nut (E) in baffle, then screw the 1/4" whizlock screw (A) into retainer nut. Insert 1/4" carriage bolt (C) from inside deck and install lockwasher and nut (D).

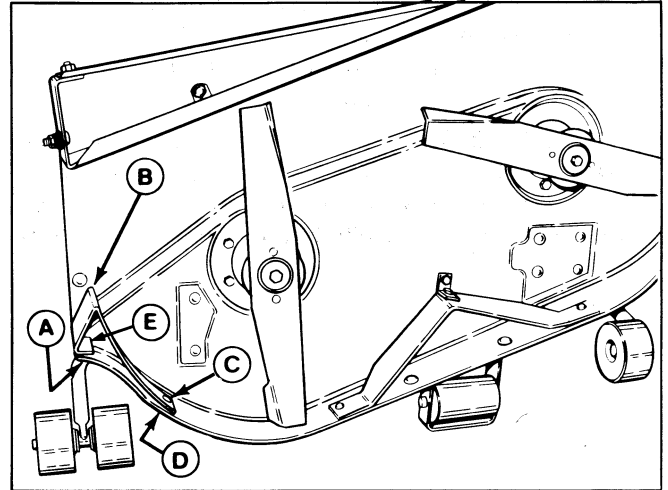


Figure 4.

- A. Screw, Whizlock, 1/4-20 x 1/2**
- B. Baffle**
- C. Bolt, Carriage, 1/4-20 x 5/8**
- D. Lockwasher and Nut, 1/4**
- E. Retainer Nut (Not Shown)**

6. Install wing nut (D, figure 5) assembly as follows. Insert 5/16-18 x 2-1/2 capscrew (F) and 5/16 washer (G) from inside the deck. Place the cup (A) onto the capscrew and install 5/16 lockwasher (B) and 5/16 nut (C). Tighten nut snug. Thread the wingnut (D) onto capscrew and install the 5/16 locknut (E) flush with end of screen.

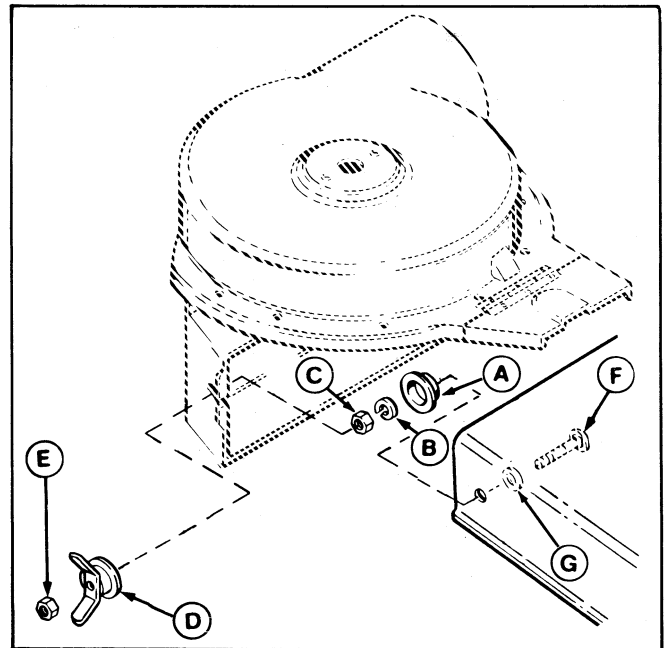


Figure 5.

- A. Cup**
- B. Lockwasher, 5/16**
- C. Nut, 5/16**
- D. Wing Nut**
- E. Locknut, 5/16**
- F. Capscrew**
- G. Washer**

7. Make sure that belt retainer (A, figure 6) is positioned correctly. Loosen the nut (B) and position the leg (C) so it is against the side of the idler arm (D). Then, tighten the nut (B).
8. Install the blower assembly (figure 6) onto mower deck as follows. Note that the notch (E) will be placed onto small spacer (G) on top of the strap. The blower assembly spacer (F) will fit into the strap notch (H).

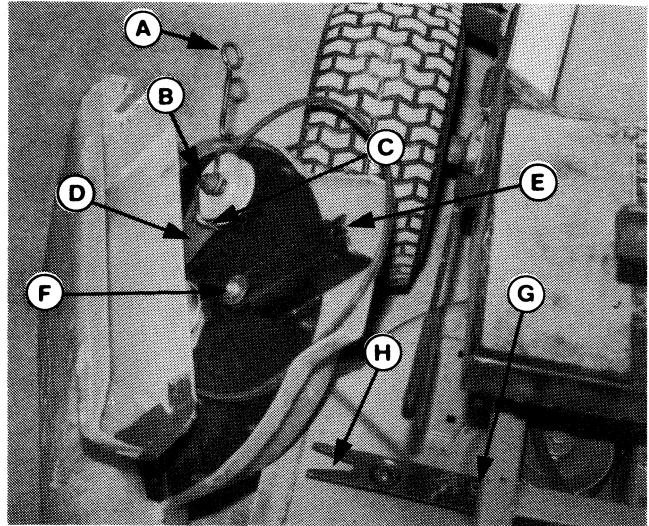


Figure 6.
A. Belt Retainer
B. Nut
C. Leg
D. Idler Arm
E. Notch
F. Spacer
G. Small Spacer
H. Strap Notch

- a. Slide the blower into position as shown in figure 7. and tighten the wing nut (A, figure 7).
- b. Push the belt retainer (B) to provide slack and install belt onto lower groove in pulley (C). (Rotate pulley while placing belt on.)
9. Place the deck drive belt in the upper groove of the pulley (C, figure 7):
10. This completes installation of the blower assembly. Install the tube and collection system by following directions provided in this manual. To remove the blower assembly, see "Operating Without Collection System."

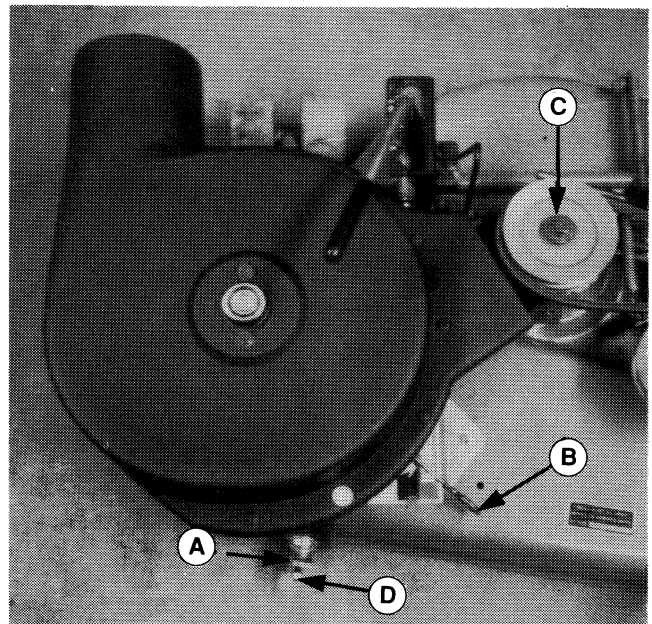


Figure 7.
A. Wing Nut
B. Belt Retainer
C. Pulley
D. Locknut, 5/16

Operation

BEFORE OPERATION

Clear the lawn of all sticks, stones, wire and other debris which may be caught or thrown by the mower blades.

Clean the tube with mild detergent (other products may damage tube). The flow of grass can be seen through the tube while mowing.

Check grass condition. If wet, wait until later in the day. If grass is wet, plugging may occur.

For efficient bagging, air circulation under the mower deck, through the tube and into the bag is very important. For this reason, you should remove grass and debris from underside of mower deck, discharge chute and screen inside cover.

The tube and elbow can be removed as an assembly for cleaning. Remove the screw and locknut that holds the tube to blower housing and remove tube from opening in bagger housing.

If desired, the bags can be lined with 30 gallon trash bags for easy disposal.

OPERATION

Grass should be cut often, and not too short. If grass is too long or lush it may be necessary to keep ground speed to a minimum or to cut only half the width to prevent clogging. If grass is high, operate with mower in high cutting position. Cut the grass again in lower cutting position, if desired.

To check if bags are full, open the inspection door, located directly behind the operator's seat.

Always operate with throttle at full speed.

OPERATING WITHOUT COLLECTION SYSTEM

To remove the blower assembly, first loosen the front wing nut. To provide belt slack, push the belt retainer. Slip the belt off the pulley. The blower can be removed from deck.

Install the mower deflector (A, figure 8) with two carriage bolts, lockwashers and nuts.

EMPTYING THE BAGS

NOTE

If seat has spring suspension, tilt the seat forward to allow cover to remain in "up" position.

Raise the cover. If a plastic liner was not used, unhook the bag and turn upside down to empty (use handle on bottom).

If plastic liner was used, first tie up top of liner. Then, either pull the liner out, or turn the bag upside down and allow the filled liner to slide out.



WARNING

For safety reasons grass and debris are to be removed only after engine is shut off, key removed, and all moving parts stopped.



WARNING

Before raising cover, shut off engine, remove key, and set parking brake.

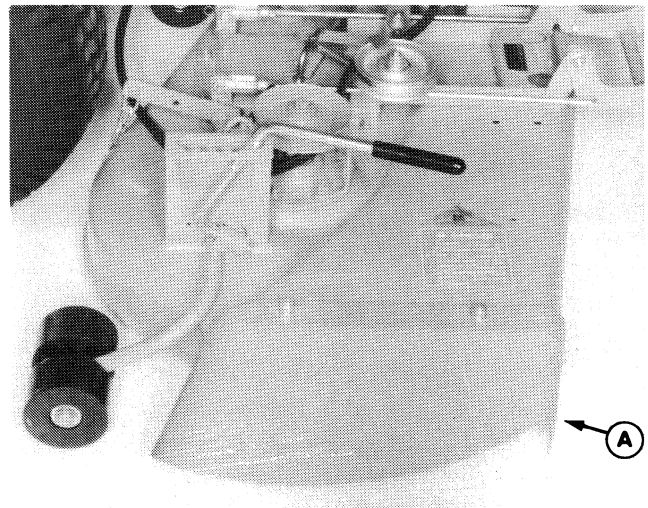


Figure 8.
A. Deflector



EDGE OF DECK



TEMPLATE FOR DRILLING MOUNTING HOLE FOR 36" TURBO VAC.



